

ALTERNATING CURRENTS

THE WORKING THEATRE

DIRECTED BY: KAREEM FAHMY

SCENIC DESIGN BY: DAVID ESLER

DRAFTED BY: TYLER RANKIN

THESE DRAWINGS REPRESENT VISUAL APPEARANCES ON STAGE. THE DESIGNER ASSUMES NO RESPONSIBILITY FOR THE STRUCTURAL INTEGRITY, RIGGING, FLAMEPROOFING OR SAFETY OF THE PIECES.



S.D. 6876
SCENIC DESIGNER
David Esler

GROUND PLAN

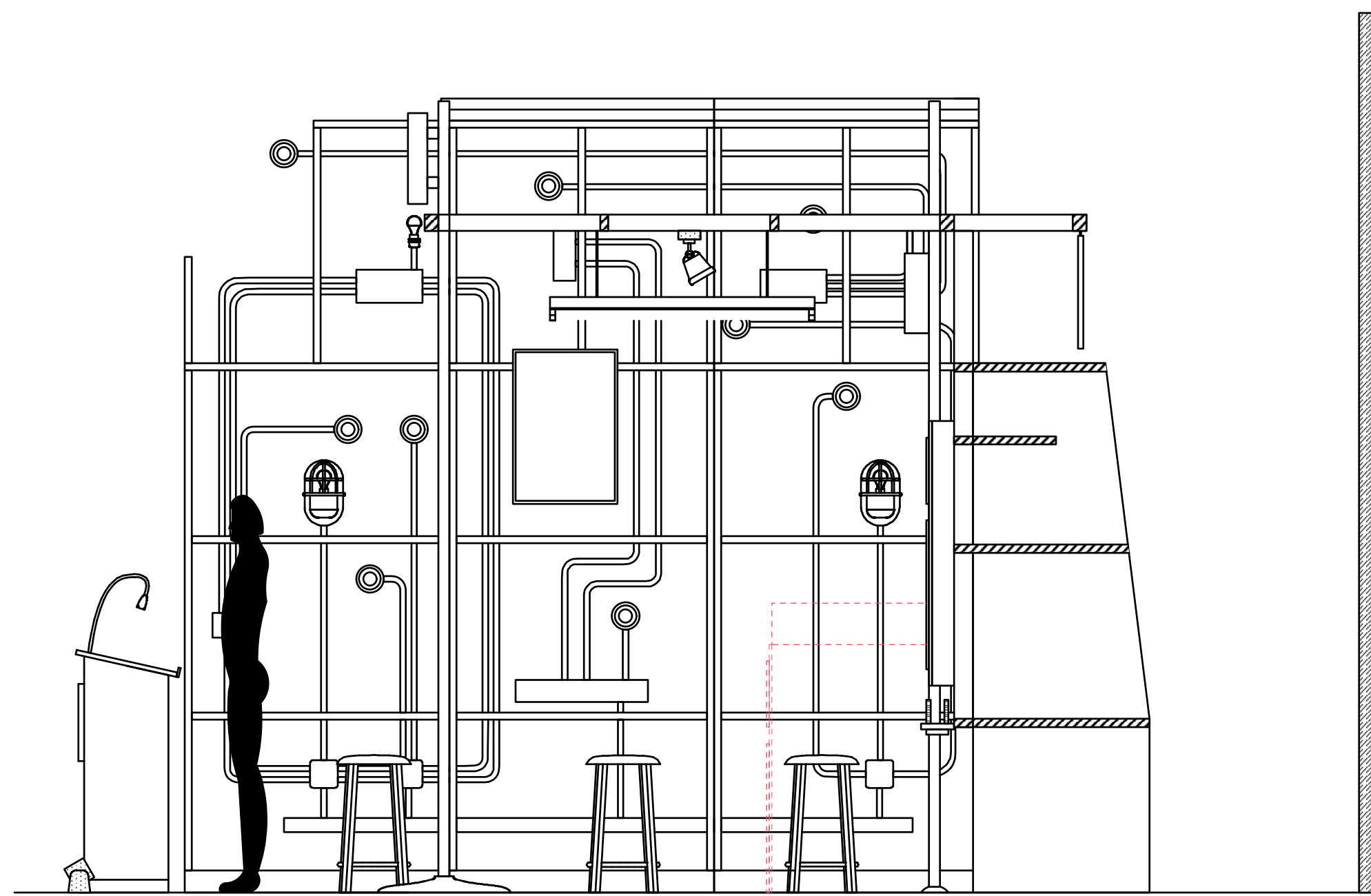
SCALE: 1/4" = 1'0"



DATE: 21 FEB 2018

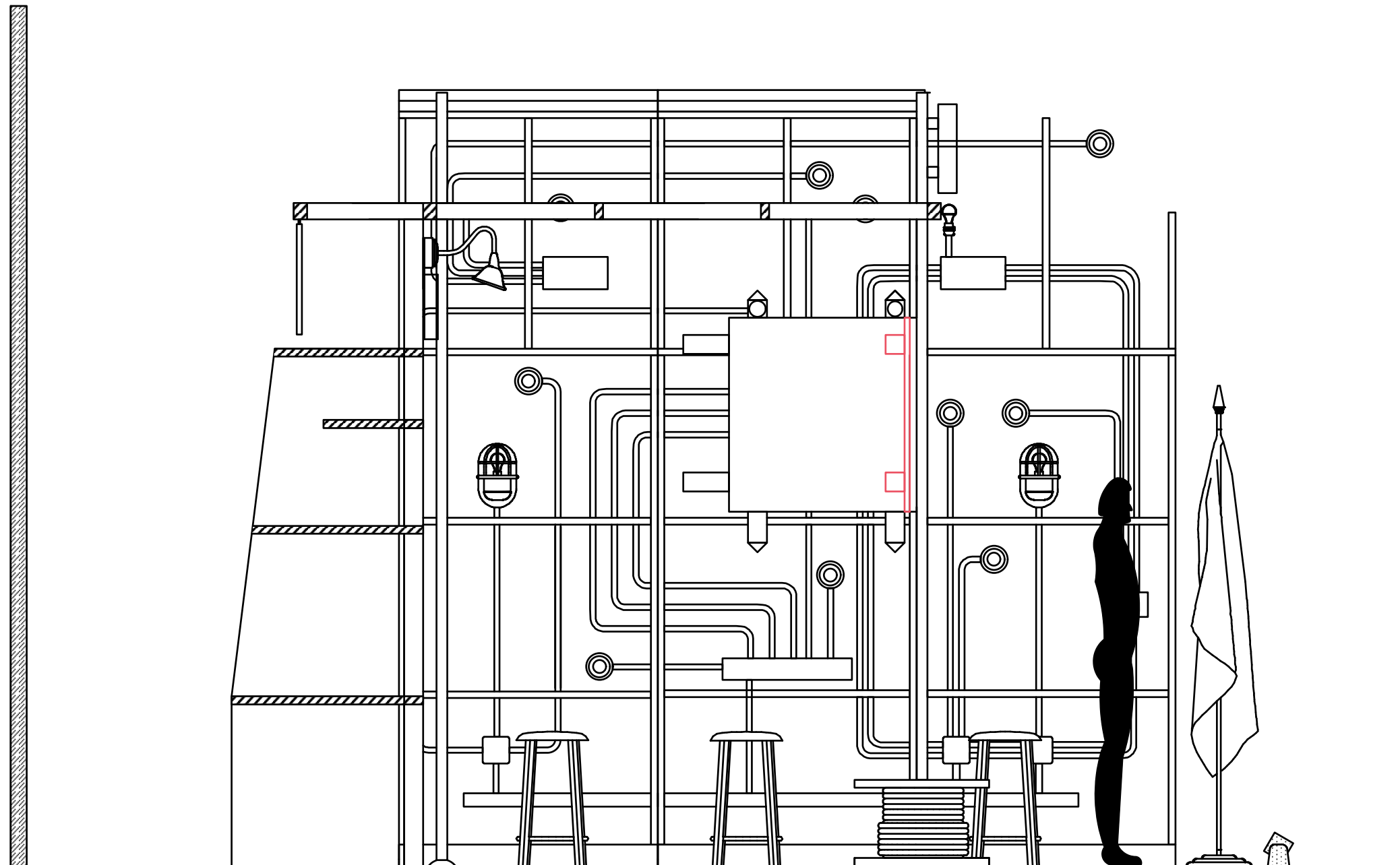
PLATE:

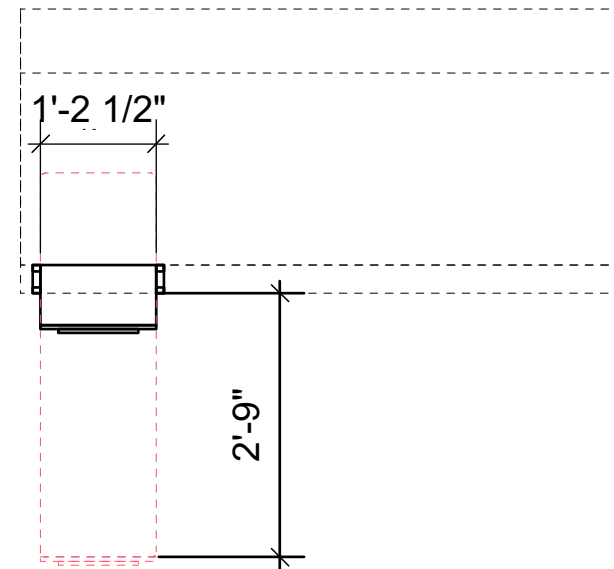
1 / 29

ALTERNATING CURRENTS		
THE WORKING THEATRE		
DIRECTED BY: KAREEM FAHMY		
SCENIC DESIGN BY: DAVID ESLER		
DRAFTED BY: TYLER RANKIN		
<small>THESE DRAWINGS REPRESENT VISUAL APPEARANCES ON STAGE. THE DESIGNER ASSUMES NO RESPONSIBILITY FOR THE STRUCTURAL INTEGRITY, RIGGING, FLAMEPROOFING OR SAFETY OF THE PIECES.</small>		
CENTERLINE SR SECTION VIEW		PLATE:
SCALE: 1/4"= 1'0"	DATE: 21 FEB 2018	2 / 29

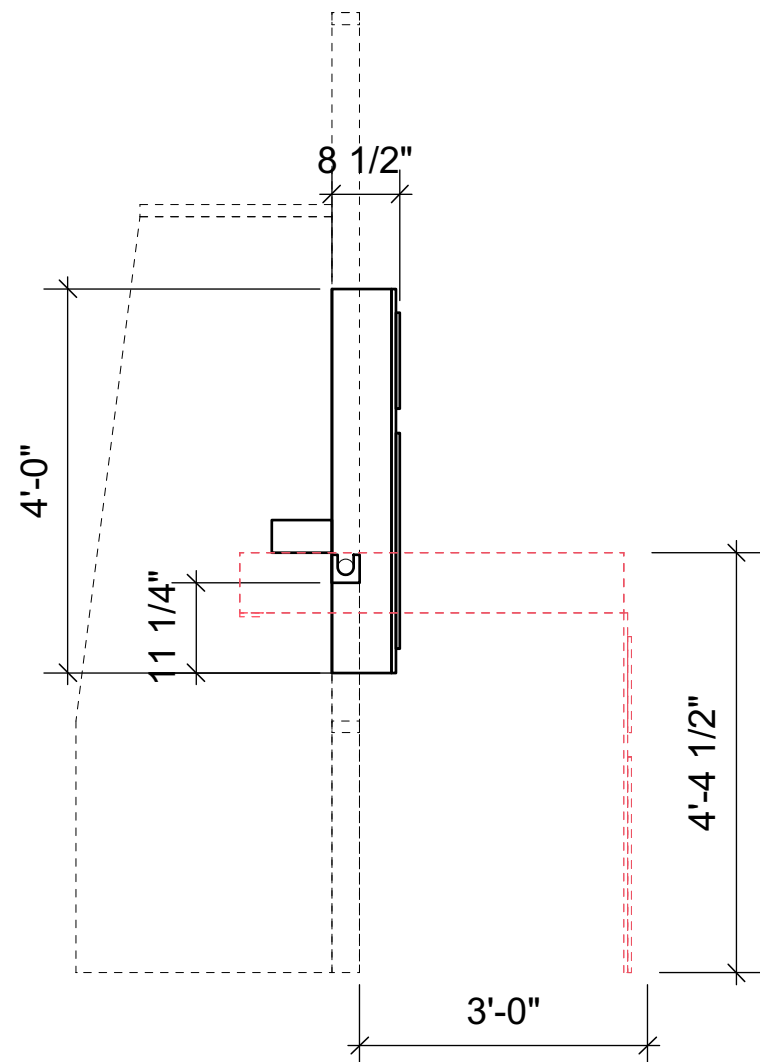


ALTERNATING CURRENTS		
THE WORKING THEATRE		
DIRECTED BY: KAREEM FAHMY		
SCENIC DESIGN BY: DAVID ESLER		
DRAFTED BY: TYLER RANKIN		
<small>THESE DRAWINGS REPRESENT VISUAL APPEARANCES ON STAGE. THE DESIGNER ASSUMES NO RESPONSIBILITY FOR THE STRUCTURAL INTEGRITY, RIGGING, FLAMEPROOFING OR SAFETY OF THE PIECES.</small>		
CENTERLINE SL SECTION VIEW		PLATE:
SCALE: 1/4"= 1'0"	DATE: 21 FEB 2018	3 / 29

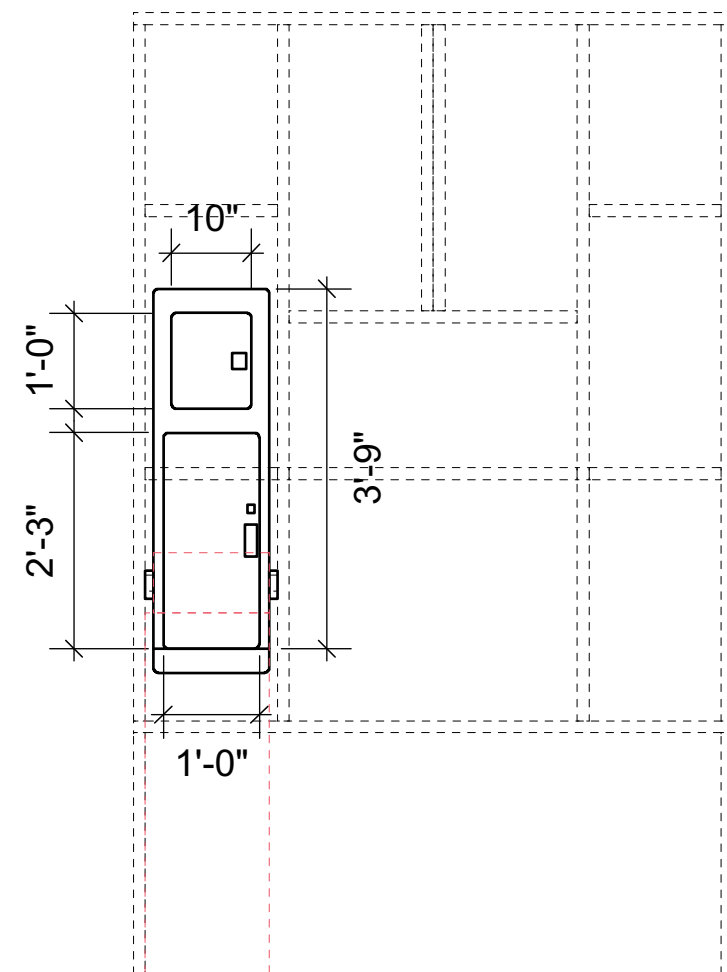




TOP VIEW



SIDE VIEW



FRONT VIEW

ALTERNATING CURRENTS

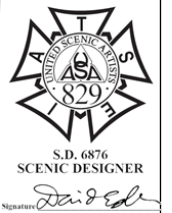
THE WORKING THEATRE

DIRECTED BY: KAREEM FAHMY

SCENIC DESIGN BY: DAVID ESLER

DRAFTED BY: TYLER RANKIN

THESE DRAWINGS REPRESENT VISUAL APPEARANCES ON STAGE. THE DESIGNER ASSUMES NO RESPONSIBILITY FOR THE STRUCTURAL INTEGRITY, RIGGING, FLAMEPROOFING OR SAFETY OF THE PIECES.



UPSTAGE ELECTRICAL BOX

PLATE:

19/29

SCALE: 1/4" = 1'0"

DATE: 21 FEB 2018

NOTES:

- PIVOTS ON A 2" DOWEL/PIPE
- FACE HINGES OPEN DOWN STAGE
- PANELS WITH HANDELS DO NOT OPEN

ALTERNATING CURRENTS

THE WORKING THEATRE

DIRECTED BY: KAREEM FAHMY

SCENIC DESIGN BY: DAVID ESLER

DRAFTED BY: TYLER RANKIN

THESE DRAWINGS REPRESENT VISUAL APPEARANCES ON STAGE. THE DESIGNER ASSUMES NO RESPONSIBILITY FOR THE STRUCTURAL INTEGRITY, RIGGING, FLAMEPROOFING OR SAFETY OF THE PIECES.



S.D. 6876
SCENIC DESIGNER
David Esler

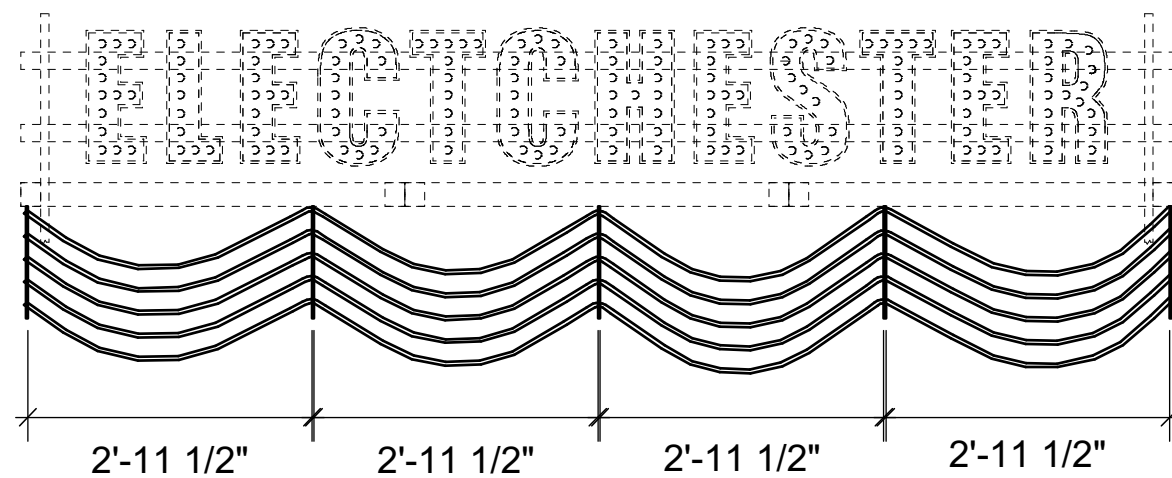
CABLE SWAGS

SCALE: 1/4" = 1'0"

DATE: 21 FEB 2018

PLATE:

27 / 29



FRONT VIEW



SIDE VIEW